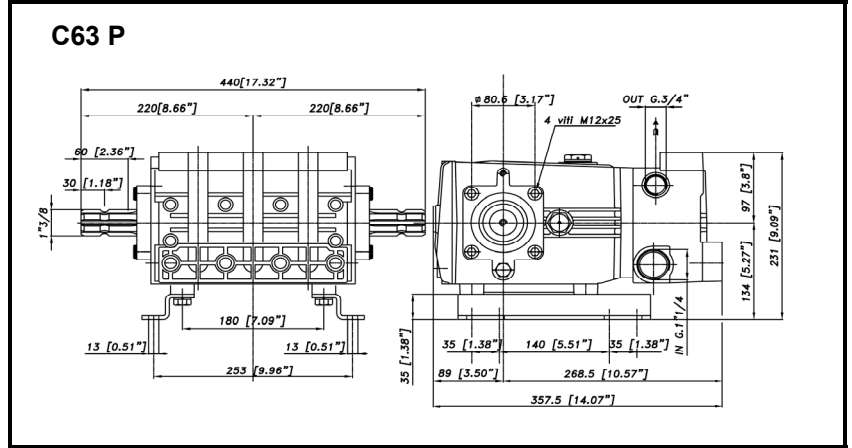
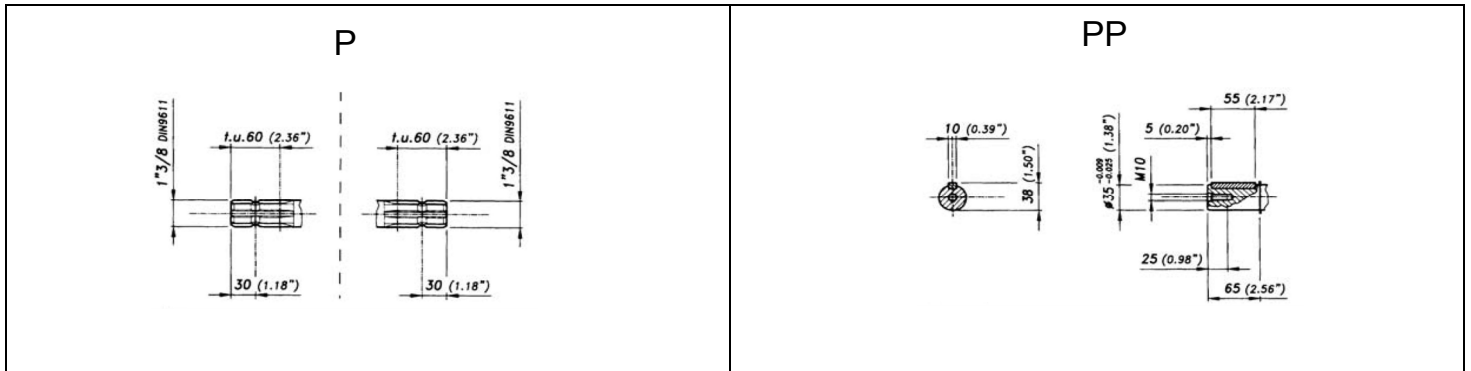




DIMENSIONI D'INGOMBRO - OVERALL DIMENSIONS



ALBERO POMPA - PUMP SHAFT



COPPIA DI SERRAGGIO - TORQUE CHART

CODICE - CODE	Q.TY	POS	N-m	Lbr.ft
86.4200.00.2	8	10	108	79,7
86.4090.00.2	6	12	68	50,2
73.0048.53.2	3	21	40 (LOCTITE 242)	29,5 (LOCTITE 242)
86.1924.00.2	3	25	3	2,2
86.3439.00.2	6	32	40	29,5
86.2216.00.2	10	39	10	7,4
86.3900.00.2	3	57	40 (LOCTITE 270)	29,5 (LOCTITE 270)
86.3696.00.2	8	46	50	36,9
86.3703.00.2	4	50	68 (LOCTITE 242)	50,2 (LOCTITE 242)

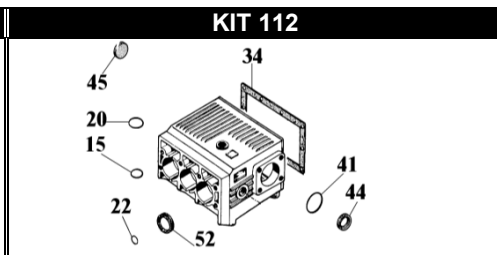
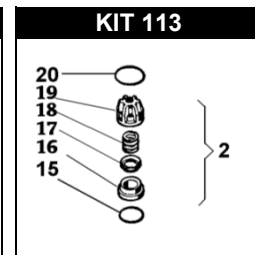
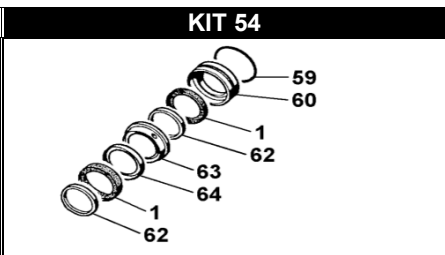
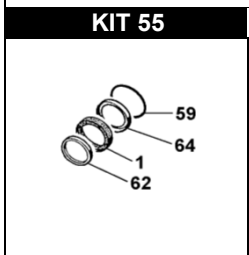
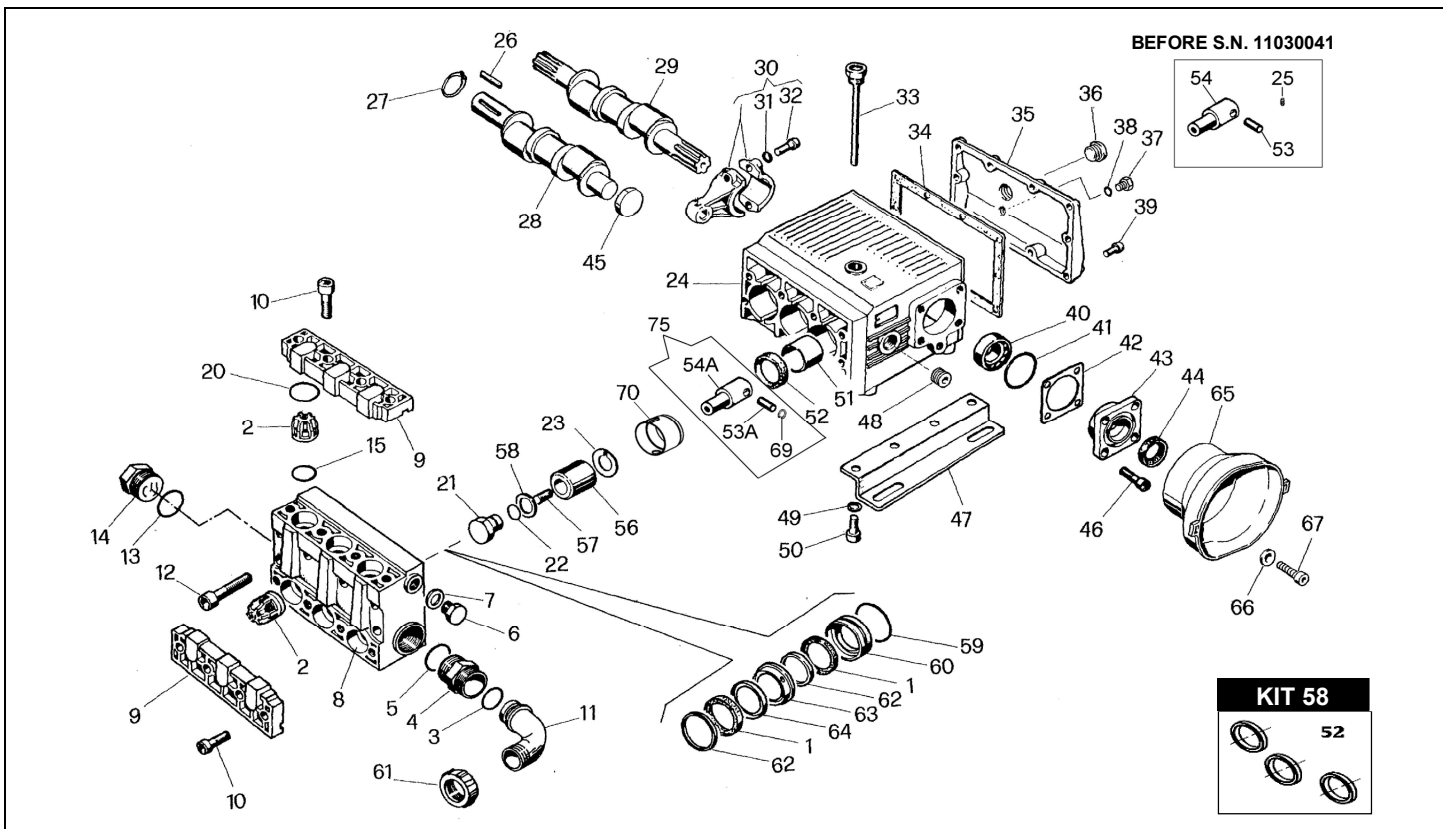
Tolleranza di serraggio: 0/-10%
Tolerance on torque value:



INFORMAZIONI UTILI
USEFUL INFORMATION

LUBRIFICANTE- LUBRICANT:

OLIO MOTORE O SEMIIDRAULICO SAE 30
MOTOR OIL OR SEMI-HYDRAULIC OIL SAE 30



POS.	CODICE PART NO. RÉF.	DENOMINAZIONE - DESCRIPTION - DESCRIPTION	Q.TY
1-kit 54-55	802201002	HIGH PRESSURE PACKING DIA 45	6
2-kit 113	359802973	VALVES ASSEMBLY	1
3	803219102	O-RING DIA.3X30	6
4	835090352	NIPPLES G1"1/4 - G1"1/2 M-M	1
5	803209002	O-RING DIA.2,62X39,34	1
6	852693532	CAP G3/4	1
7	803218002	O-RING DIA.3X22	1
8	730214092	PUMP BODY	1
9	730017092	VALVES COVER	2
10	864200002	GALV.SCREW TCEI M14X40 UNI 5931	8
11	840561002	90°ELBOW CONNECTOR DIA.30 MM.	1
12	864090002	SCREW TCEI M12X100 UNI 5931 CO	6
13	803209002	O-RING DIA.2,62X39,34	1
14	852740002	PLUG 1"1/4 WITH GASKET	1
15-kit 112-113	803251002	O-RING DIA.3,53X32,93	6
16-kit 113	730052432	SEAT	6
17-kit 113	730053682	VALVE	6
18-kit 113	280048512	SPRING	6
19-kit 113	730028322	VALVE CAGE	1
20-kit 112-113	803262002	O-RING DIA.3,53X41,28	6
21	730048532	PLUG	3
22-kit 112	803195502	VITON O-RING DIA.2,62X20,24 CO	3
23	844301002	WASHER DIA.25,3X50X1	3
24	730001082	CRANKCASE	1
25	861924002	SCREW M5X6 UNI 5927 (BEFORE S.N. 11030041)	3
26	806530002	TAB 8X7X30 "PR"	1
26	806585002	TAB 10X8X55 "PP"	1
27	801264002	SHAFT RING DIA.35	1
28	730034262	CRANKSHAFT "PR"	1
28	730028262	CRANKSHAFT "PP"	1
29	730031262	CRANKSHAFT 1"3/8 (P)	1
30 opt.	730008112	CONNECTION ROD CPL (BR) DDW/HOLE M5	3
30	730005092	CONROD CPL (AL) W/HOLE M5 VERSION "PR"	3
31	843870002	WASHER DIA.10,5X16X1,5 VERSION "PP"	6
32	863439002	SCREW M10X25	6
33	853517002	FILLER PLUG	1
34-kit 112	730065722	GASKET	1
35	730002092	CRANKCASE COVER	1
36	853515502	OIL PLUG G.3/4 WITH O-RING	1
37	852579002	PLUG G 3/8	1
38	824107002	GASKET DIA.16,5X23,1	1

POS.	CODICE PART NO. RÉF.	DENOMINAZIONE - DESCRIPTION - DESCRIPTION	PCS.
39	862216002	SCREW M6X25	10
40	812859002	ROLLER BEARING DIA.35X72X24,25	2
41-kit 112	803290002	O-RING DIA.85,32X3,53	2
42/2	730060652	SHIM "PR"	1
42/1	730061652	SHIM "P - PP"	1
43/2	730003092	CRANKCASE COVER "PR"	1
43/1	730015092	CRANKCASE BEARING "P - PP"	1
44-kit 112	802143002	OIL SEAL	1
45-kit 112	802099602	CAP RCA 52-7	1
46	863696002	SCREW TCEI M12X25	8
47	730024612	MOUNTING BRACKETS	2
48	852690002	CONE-SHAPED PLUG G 3/4"	1
49	843906002	SPRING WASHER DIA.13	4
50	863703002	SCREW M12X25	4
51	804465002	ANTIFRICTION BUSH DIA.40X44X50	3
52-kit 58	802180002	OIL SEAL DIA.40X55X7	3
53	852007502	PISTON PIN (BEFORE S.N. 11030041)	3
53A	852007302	PISTON PIN (FROM S.N. 11030041)	3
54	730011092	PLUNGER ROD (BEFORE S.N. 11030041)	3
54A	730080092	PLUNGER ROD (FROM S.N. 11030041)	3
56	730010182	CERAMIC PISTON DIA.45	3
57	863900002	SCREW STEI M12X40	3
58	824161002	GASKET 25,3X30X1	3
59-kit 54-55	803283002	O-RING DIA.3,53X58,74	3
60-kit 55	730070532	PACKINGS HOLDER	3
61	820070002	WING NUT G1 1/2	1
62-kit 54-55	730044322	SEAL PACKER DN 45/60	6
63-kit 55	730068532	FRONT GLAND DIA.45	3
64-kit 54-55	730040322	ANTIEXTRUSION RING	3
65	311482322	PLAIN SAFETY CONE	1
66	843696002	WASHER DIA.8,4x18x2	2
67	862475002	SCREW	2
69	800040002	SNAP RING (FROM S.N. 11030041)	6
70	730502532	OIL SEAL SPACER (FROM 09/13)	3
75	73001109A	PLUNGER ROD + PISTON PIN KIT (FROM S.N. 11030041)	3
REPAIR KIT	ITEM NO,s INCLUDED	PCS.	
kit 54	739840973	SPARE PARTS KIT	24
kit 55	739841973	SPARE PARTS KIT	18
kit 55	739843973	SPARE PARTS KIT (VITON)	18
kit 58	739842973	SPARE PARTS KIT	3
kit 112	731022973	SPARE PARTS KIT	24
kit 113	359870973	SPARE PARTS KIT	18